



NOËL & MARQUET
DESIGN ELEMENTS



3

Skirtings

Installation manual

05-2025

Skirtings general



LAYING SURFACE

- Clean, dry, free of dust, degreased and flat.
- If there is existing wallpaper, check its adhesion.
- Apply a primer on highly absorbent substrates.
- Apply a primer on wood.
- Apply a primer on metal.
- Clean tiling.
- Sand down varnished surfaces.



PREPARATION

- The VARIO mitre box can be fixed to the worktop or the staging with the existing aluminium brackets using two clamps (not included).
- Adjust the sliders of the mitre box to the height of the skirting or the side or take them off as they are not necessary for the cut of skirtings.



Inner corner



Outer corner

- Measure the angle of the corner of the wall using the adjustable set-square.



- Place the adjustable set-square flat in the bottom of the mitre box, one side resting against the vertical part of the mitre box.
- Measure the distance between the two ends of the set-square.
- Divide this value by 2 and set the saw guide to the value obtained.
- Ensure that the saw passes through the middle of the adjustment screws, correcting the position as necessary.

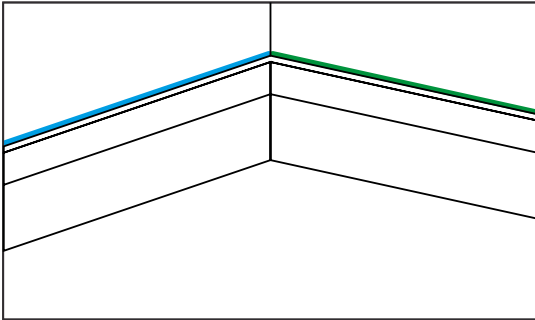
The procedure applies to both corners inside and outside angles (mitre).



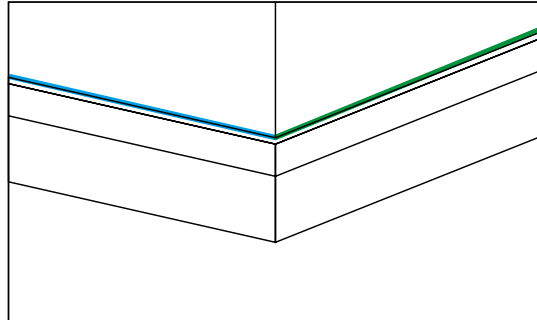
CUTTING

- Cut the skirting to size in the mitre box with the WALLSTYL® saw.

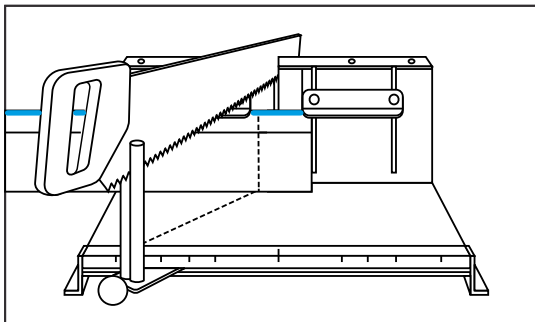
INNER CORNER



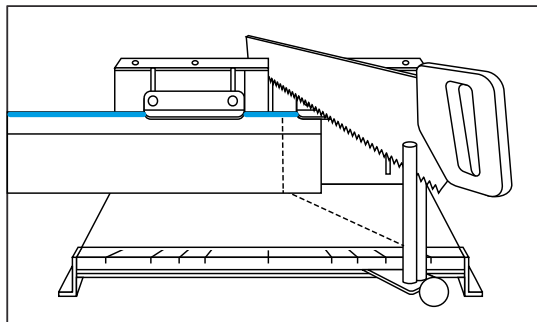
OUTER CORNER



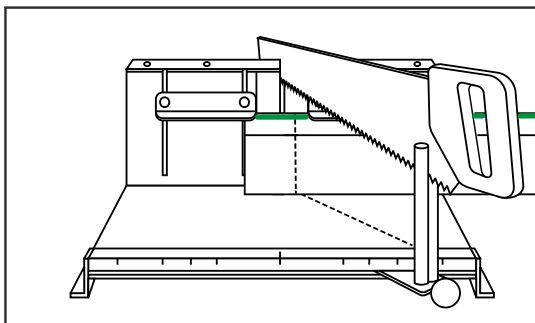
INNER CORNER LEFT



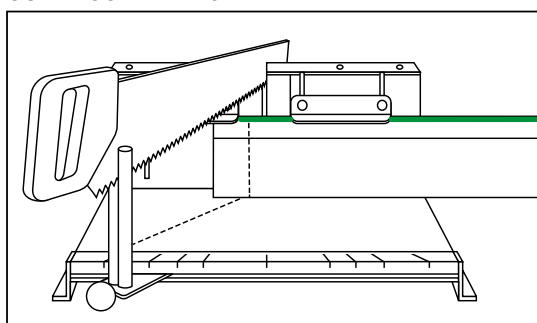
OUTER CORNER LEFT



INNER CORNER RIGHT



OUTER CORNER RIGHT



- When using an electric mitre saw, the blade must be suitable for synthetic materials. Cut at high speed.
- At the connection joints, saw the profiles in 45° angles.



- Lightly sand the cut edges and the edges of the skirting with fine sandpaper (150 grit or less) or cutter and remove the sawdust with a damp sponge.



INSTALLATION

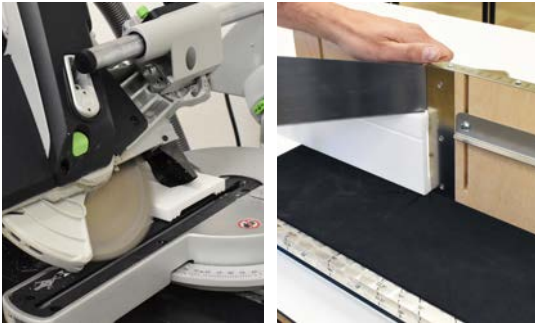
- Using a cartridge gun, generously apply the ADEFIX® adhesive in a continuous bead on the backside of the skirting (see GLUE CONSUMPTION).
- Use ADEFIX® PLUS as an adhesive for installation on non-absorbent substrates or in damp rooms.
- WALLSTYL® skirtings with a height / span smaller than 8 cm :
- Apply ADEFIX® adhesive to the cuts and corner mitres so that it forms a 3 mm joint.
- WALLSTYL® skirtings with a height / span more than 8 cm: apply ADEFIX® PLUS adhesive to the cuts and corner mitres so that it forms a 3 mm joint.
- The adhesive should not make a bead when the skirtings are pressed against one another. If necessary, the ADEFIX® PLUS adhesive can be removed cleanly with white spirit.



- Leave the glue to dry (min. 6 hours) then finish the joints and mitres with ADEFIX® adhesive.



- Leave the glue to dry (min. 6h) then during the next 4 weeks, apply the final coating (see FINISH).



ENDING A SKIRTING

- Lay the skirting flat in the mitre box.
- Make a cut at 45° above the protruding edge of the skirting (cut the outer mitre).



- Make a large enough reverse cut (45°).



- Sand and dust off the cut edge, and then secure it with ADEFIX® adhesive.



You can also make the elbow using hot glue. This allows the skirting to be positioned after just a few minutes, without the risk of inaccuracies in the outside mitre.



Finished skirtings are ready to be installed and do not need to be painted. The mitres and joints must not be glued and remain visible after installation. If a subsequent final coating is required, please contact our technical department.

